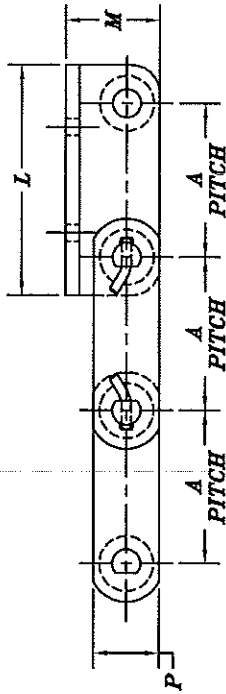


J-HOLE DIAMETER
K-NO. OF HOLES



A		G	K	N
B	E	H	L	P
C		J	M	R

CHECK ONE: CHAIN IS ROLLER OR NON-ROLLER TYPE

CHECK ONE: CHAIN IS STRAIGHT OR OFFSET TYPE

quantity: _____
 completed by: _____
 date: _____

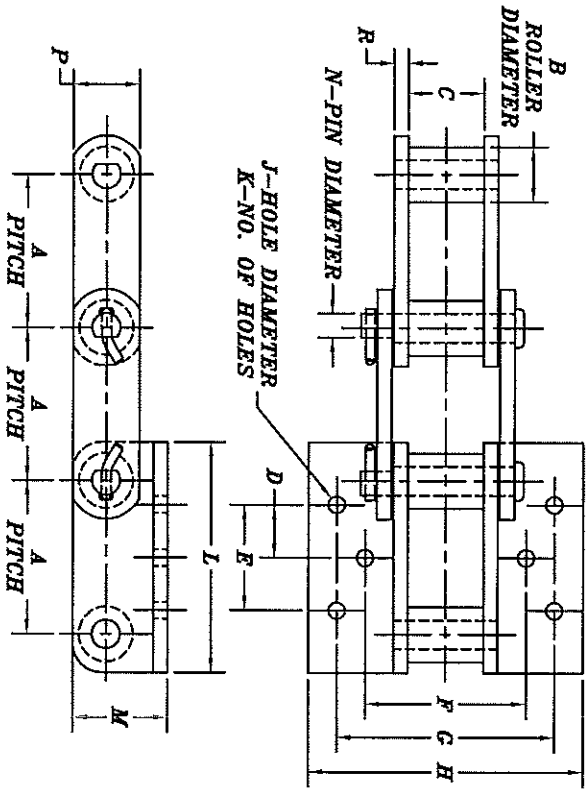
Reliable Asphalt Products
 P.O. Box 519
 Phone: (502) 647-1782
 Fax: (502) 647-1786
 P.D. Box 519
 Shelbyville KY 40066

APPROVED BY: _____
 SCALE: NONE
 JOB: _____
 DRAWN BY: Toddz
 DATE: 11/21/05

CHAIN WITH 4 BOLT ATTACHMENT
CUSTOMER FILL IN
RAP STANDARD
 DRAWING NUMBER

REV	BY	DATE	DESCRIPTION
			TOLERANCES UNLESS OTHERWISE NOTED
			WHOLE NUMBER DIA. 1/2"
			FRACTIONAL DIA. 31/64"
			ANGULAR DIA. 3.00
			DECIMAL DIA. 0.000
			CSK 0.005

THE INFORMATION CONTAINED HEREIN IS PROPRIETARY TO RELIABLE ASPHALT PRODUCTS AND SHALL NOT BE REPRODUCED OR DISCLOSED IN WHOLE OR IN PART, NOR USED FOR ANY DESIGN OR MANUFACTURING PURPOSE UNLESS AUTHORIZED IN WRITING BY RELIABLE ASPHALT PRODUCTS.



A	D	G	K	N
B	E	H	L	P
C	F	J	M	R

CHECK ONE: CHAIN IS ROLLER OR NON-ROLLER TYPE
 CHECK ONE: CHAIN IS STRAIGHT OR OFFSET TYPE

REV	BY	DATE	DESCRIPTION
			TOLERANCES UNLESS OTHERWISE NOTED
			WHOLE NUMBER DIM. 1/16"
			FRACTIONAL DIM. 1/16"
			ANGULAR DIM. CSO
			DECIMAL DIM. CSO
			1/2"
			3/16"
			3/32"

NOTICE: THE INFORMATION CONTAINED HEREON IS PROPRIETARY TO RELIABLE ASPHALT PRODUCTS AND SHALL NOT BE REPRODUCED OR DISCLOSED IN WHOLE OR IN PART, NOR USED FOR ANY DESIGN OR MANUFACTURING PURPOSES UNLESS AUTHORIZED IN WRITING BY RELIABLE ASPHALT PRODUCTS.

quantity: _____
 completed by: _____
 date: _____

Reliable **Asphalt** **Products**

P.O. Box 519
 Phone: (502) 647-1782
 Fax: (502) 647-1786

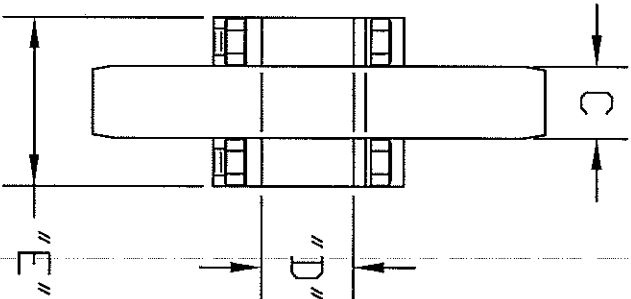
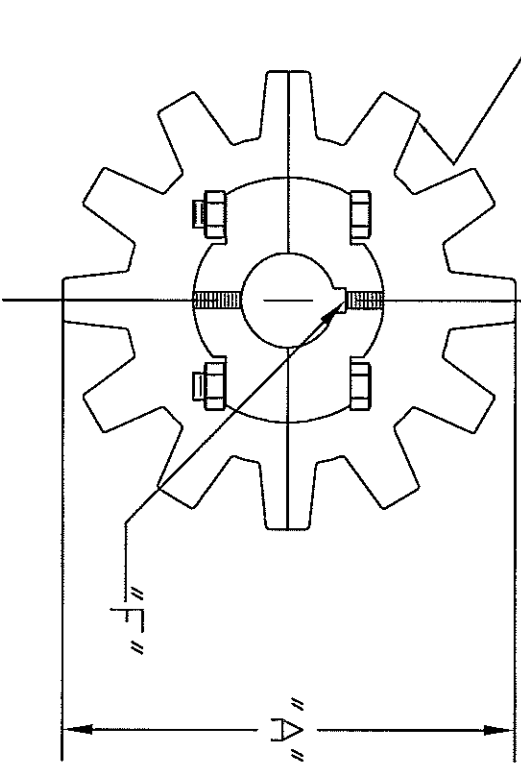
Shelbyville KY 40066

SCALE: NONE
 APPROVED BY: _____
 DRAWN BY: Todd
 DATE: 11/21/05

**CHAIN WITH 6 BOLT ATTACHMENT
 CUSTOMER FITTING IN
 RAP STANDARD**

DRAWING NUMBER

"B" - NO. OF TEETH



A- _____ O.D. OF SPROCKET E- _____ THRU BORE

B- _____ NUMBER OF TEETH F- _____ KEYWAY

C- _____ THICKNESS G- CHAIN NUMBER AND BRAND _____

D- _____ BORE

quantity: _____

completed by: _____

date: _____

REV	BY	DATE	DESCRIPTION
			TOUGHENERS DUESSES OPERATOR FORMED
			VARIABLE NUMBER DIM. 41/16" ANGULAR DIM. C900
			FRACTIONAL DIM. 41/16" DECIMAL DIM. C900
			41/16" 4.0625
			4.0625

NOTICE: PRODUCTS AND SPECS ARE BEING PRODUCED IN COMPLIANCE WITH THE INSTITUTE OF STANDARDS AND STANDARDS COMMITTEE UNLESS AUTHORIZED IN WRITING BY RELIABLE ASPHALT PRODUCTS.

Reliable **INC.** **Asphalt** **Products**

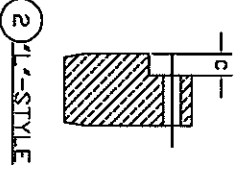
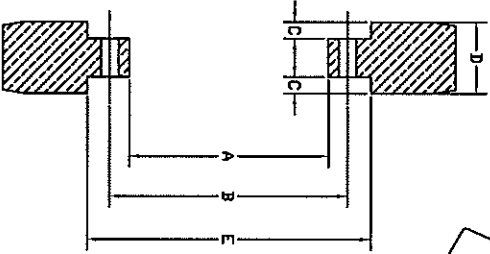
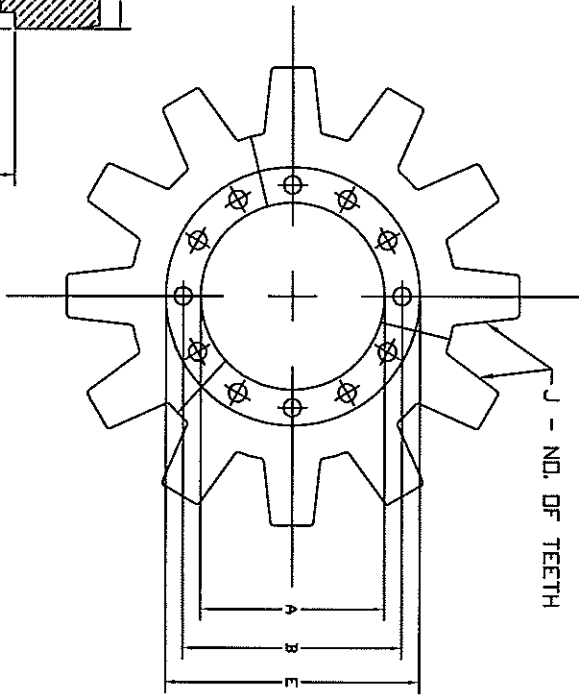
P.O. Box 519
 Phone: (502) 647-1782
 Shelbyville KY 40066
 Fax: (502) 647-1786

SCALE: NONE APPROVED BY: _____ DRAWN BY: Todd DATE: 6/1/05

JOB FILL IN

SPLIT SPROCKET
CUSTOMER FILL IN
RAP STANDARD

DRAWING NUMBER
 SPLIT SPROCKET



- A- _____ INSIDE BORE
 - B- _____ BOLT CIRCLE
 - C- _____ 1 1/2\"/>
 - D- _____ THICKNESS
 - E- _____ SHOULDER
 - F- _____ DIA. _____ BOLT _____ HOLE (CHECK ONE)
 - G- _____ NUMBER OF HOLES
 - H- ARE HOLES EQUALLY SPACED? _____
 - J- NUMBER OF TEETH _____
 - K- CHAIN NUMBER AND BRAND _____
- quantity: _____
 completed by: _____
 date: _____

1 1/2\"/>

1\"/>

REV	BY	DATE	DESCRIPTION
			TOLERANCES UNLESS OTHERWISE NOTED
			ANGLE DIM. 1/8"
			CHAMFER DIM. C/8
			DECIMAL DIM. 0.000
			FRACTIONAL DIM. 1/32
			SIZE 1/2
			1/16
			1/32
			1/64

NOTICE: THE INFORMATION CONTAINED HEREIN IS PROPRIETARY TO RELIABLE ASPHALT PRODUCTS AND SHALL NOT BE REPRODUCED OR DISCLOSED IN WHOLE OR IN PART, NOR USED FOR ANY DESIGN OR MANUFACTURING PURPOSE, UNLESS AUTHORIZED IN WRITING BY RELIABLE ASPHALT PRODUCTS.

Reliable
INC.
Asphalt
Products

P.O. Box 519
Shelbyville KY 40066
Phone: (502) 647-1782
Fax: (502) 647-1786

SCALE: NONE	APPROVED BY:	DRAWN BY: Todd
JOB FILL IN		DATE: 10/25/05

SEGMENTED "SPROCKET"
 CUSTOMER FILL IN
 RAP STANDARD

DRAWING NUMBER
 SEGMENTED SPROCKET