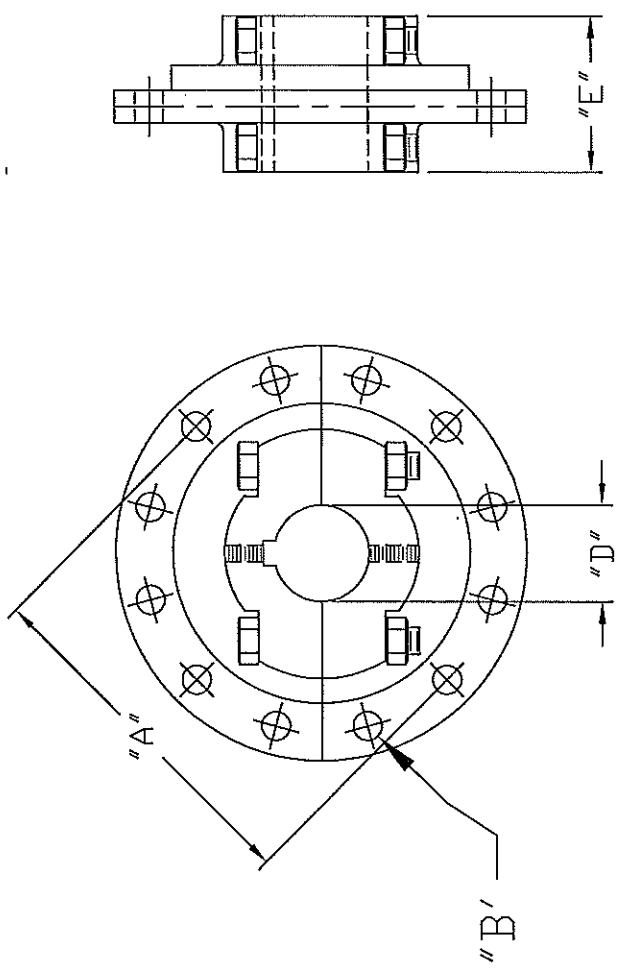


- A- _____ BOLT CIRCLE DIAMETER
- B- _____ BOLT HOLE DIAMETER
- C- _____ NUMBER OF BOLT HOLES
- D- _____ BORE DIAMETER
- E- _____ THRU BORE LENGTH
- F- ARE HOLES EQUALLY SPACED? _____



Reliable Asphalt Products
 P.O. Box 519 Shelbyville KY 40066
 Phone: (502) 647-1782 Fax: (502) 647-1786

SCALE: NONE DRAWN BY: Todd
 JOB: FILL IN DATE: 10/25/05

"CUSTOMER" FILL IN
RAP STANDARD

DRAWING NUMBER
 SPLIT HUB

REV	BY	DATE	DESCRIPTION
			TOLERANCES UNLESS OTHERWISE NOTED
			WHEEL NUMBER DIM. 1/16"
			ANGULAR DIM. 0.00
			DECIMAL DIM. 0.000
			FRACTIONAL DIM. 1/16"
			0.005

THE INFORMATION CONTAINED HEREIN IS PROPRIETARY TO RELIABLE ASPHALT PRODUCTS AND SHALL NOT BE REPRODUCED OR DISCLOSED IN WHOLE OR IN PART, NOR USED FOR ANY DESIGN OR MANUFACTURING PURPOSE UNLESS AUTHORIZED IN WRITING BY RELIABLE ASPHALT PRODUCTS.